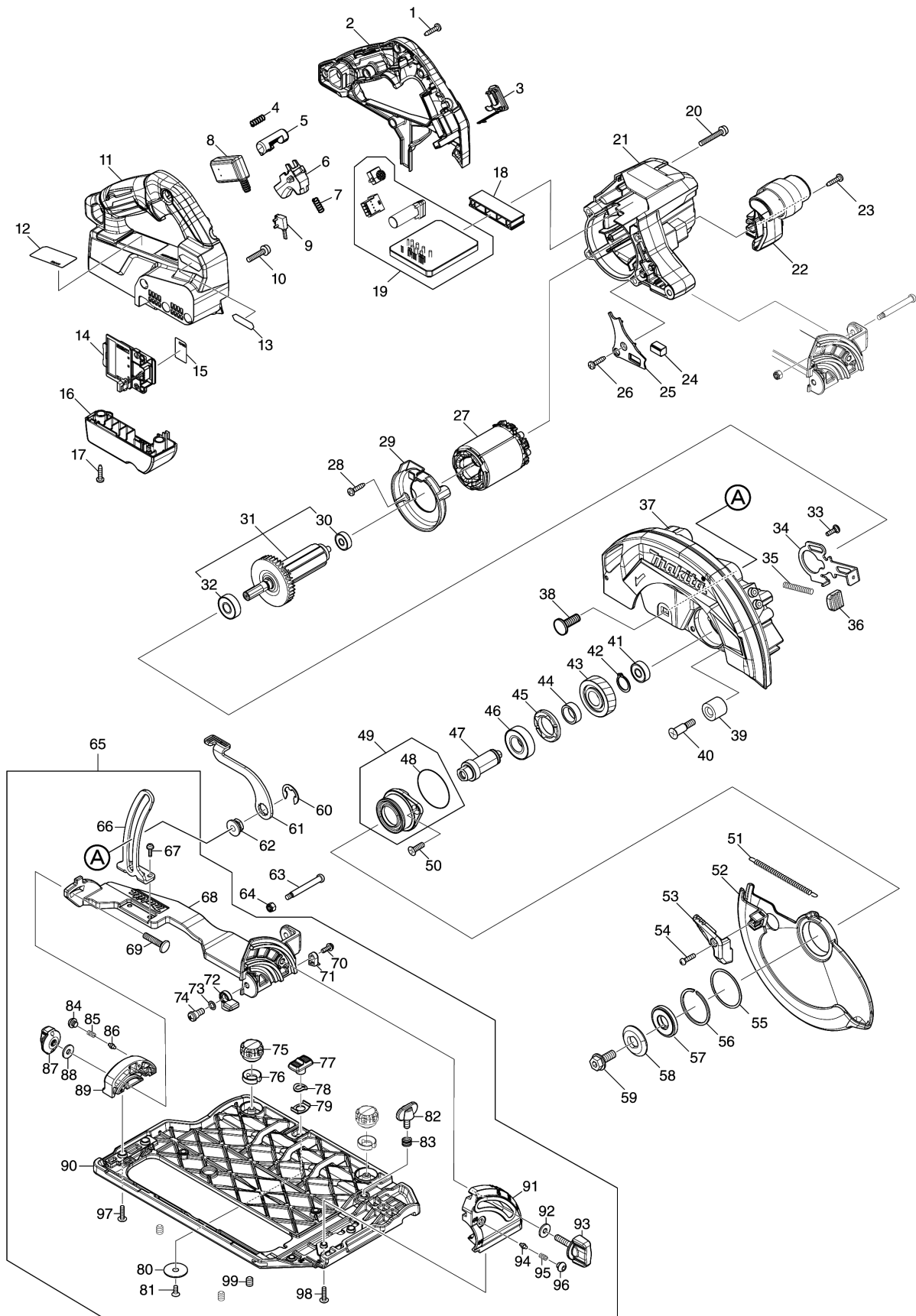


Model No.HS004G 185MM CORDLESS CIRCULAR SAW



Model No.HS004G 185MM CORDLESS CIRCULAR SAW

Item	Parts No.	Description	I/C	Qty	New/Old	Opt. 1	Opt. 2	Note
001	266326-2	TAPPING SCREW 4X18		6				
002	183R15-1	HANDLE SET		1				
C10	263005-3	RUBBER PIN 6		1				
D10		INC. 11						
003	140F99-0	CAP COMPLETE		1				
C10	213218-6	O RING 16		1				
C20	818H07-8	CAP LABEL		1				
004	231433-0	COMPRESSION SPRING 4		1				
005	419704-7	LOCK OFF BUTTON		1				
006	458594-3	SWITCH LEVER		1				
007	231433-0	COMPRESSION SPRING 4		1				
008	651083-9	SWITCH C3XA-1PSPM		1				
009	632M92-5	SWITCH UNIT		1				
010	911243-8	PAN HEAD SCREW M5X25		3				
011	183R15-1	HANDLE SET		1				
C10	263005-3	RUBBER PIN 6		1				
D10		INC. 2						
012	857E51-2	HS004G NAME PLATE		1				
013	8012U4-2	XGT LOGO LABEL		1				
014	632P65-6	TERMINAL UNIT		1				
015	857E58-8	HS004G SERIAL NO. LABEL		1				
016	140S46-9	TERMINAL HOUSING COMPLETE		1				
C10	263005-3	RUBBER PIN 6		1				
017	266326-2	TAPPING SCREW 4X18		2				
018	412480-2	SPACER		1				
019	620D01-2	CONTROLLER		1				
020	911258-5	PAN HEAD SCREW M5X35		4				
021	458746-6	MOTOR HOUSING		1				
022	458750-5	FRONT GRIP		1				
023	266326-2	TAPPING SCREW 4X18		1				
024	620936-3	LED CIRCUIT		1				
025	458751-3	LIGHT COVER		1				
026	266326-2	TAPPING SCREW 4X18		1				
027	629479-2	STATOR		1				
028	266326-2	TAPPING SCREW 4X18		2				
029	458749-0	BAFFLE PLATE		1				
030	210022-4	BALL BEARING 626DDW		1				
031	519534-7	ROTOR ASSY		1				
D10		INC. 30,32						
032	210059-1	BALL BEARING 6000DDW		1				
033	251529-1	+ PAN HEAD SCREW M4X14		1				
034	347676-5	SHAFT LOCK		1				

Please order the parts with part number.

Print Date 2/9/2020

Model No.HS004G 185MM CORDLESS CIRCULAR SAW

Item	Parts No.	Description	I/C	Qty	New/Old	Opt. 1	Opt. 2	Note
035	233084-5	COMPRESSION SPRING 6		1				
036	286039-9	CAP		1				
037	140S42-7	BLADE CASE COMPLETE		1				
C10	213434-0	O RING 26		1				
C20	263005-3	RUBBER PIN 6		1				
C30	818C45-0	SCALE LABEL		1				
038	266396-1	FLATHEAD SQUARENECKBOLT M8X24		1				
039	262185-2	RUBBER SLEEVE8		1				
040	251572-0	+ COUNTERSUNK HEAD SCREW M6X30		1				
041	210029-0	BALL BEARING 608ZZ		1				
042	961057-5	RETAINING RING S-17		1				
043	226838-7	HELICAL GEAR 37		1				
044	257451-0	RING 17		1				
045	285809-3	BEARING RETAINER 23-36		1				
046	210301-0	BALL BEARING 6003DDW		1				
047	327192-3	SPINDLE		1				
048	213565-5	O RING 42		1				
049	136021-7	BEARING BOX ASSY		1				
D10		INC. 48						
050	265034-2	+ COUNTERSUNK HEAD SCREW M5X16		2				
051	232467-6	TENSION SPRING 4		1				
052	319970-5	SAFETY COVER		1				
053	271450-8	LEVER 37		1				
054	265178-8	PAN HEAD SCREW M4X16		1				
055	267337-0	FLAT WASHER 40		1				
056	257452-8	RETAINING RING (EXT) WR-40		1				
057	224593-5	INNER FLANGE 35		1				
058	224409-4	OUTER FLANGE 35		1				
059	266283-4	HEX. SOCKET HEX. BOLT M8X20		1				
060	257953-6	BOW STOP RING E-12		1				
061	271460-5	LEVER 90		1				
062	252262-8	COLLERED HEX. NUT M8		1				
063	265118-6	+ PAN HEAD SCREW M5		1				
064	252103-8	HEX. LOCK NUT M5-8		1				
065	136280-3	BASE ASSY		1				
D10		INC. 66-99						
066	347532-9	DEPTH GUIDE		1				
067	911516-9	PAN HEAD SCREW M4X12		2				
068	319975-5	FRAME		1				
069	251920-3	CAP SQUARE NECK BOLT M6X30		1				

Model No.HS004G 185MM CORDLESS CIRCULAR SAW

Item	Parts No.	Description	I/C	Qty	New/Old	Opt. 1	Opt. 2	Note
070	911118-1	PAN HEAD SCREW M4X12		1				
071	419632-6	POSITION PLATE		1				
072	319978-9	STOPPER		1				
073	213026-5	O RING 7		1				
074	251267-5	+ PAN HEAD SCREW M6		1				
075	265775-0	THUMB SCREW M4X3		2				
076	419627-9	HOLDER		2				
077	458092-7	SLIDE LEVER		1				
078	253932-2	WAVE WASHER 10		1				
079	345977-5	PLATE		1				
080	345748-0	LOCK WASHER		1				
081	912112-6	COUNTERSUNK HEAD SCREW M4X10		1				
082	265701-9	THUMB SCREW M6X14		1				
083	233376-2	COMPRESSION SPRING 8		1				
084	266559-9	H.S.BUTTON HEAD BOLT M6X4		1				
085	231234-6	COMPRESSION SPRING 3.5		1				
086	263041-9	SHOULDER PIN 3-5		1				
087	252270-9	THUMB NUT M6		1				
088	253111-2	FLAT WASHER 6		1				
089	319977-1	REAR ANGULAR PLATE		1				
090	319974-7	BASE		1				
091	319976-3	FRONT ANGULAR PLATE		1				
092	253111-2	FLAT WASHER 6		1				
093	265776-8	THUMB SCREW M6X26		1				
094	263041-9	SHOULDER PIN 3-5		1				
095	231234-6	COMPRESSION SPRING 3.5		1				
096	266559-9	H.S.BUTTON HEAD BOLT M6X4		1				
097	265174-6	+ TRUSS HEAD SCREW M4X16		2				
098	265174-6	+ TRUSS HEAD SCREW M4X16		2				
099	266225-8	H.S.SET SCREW(FLAT POINT)M6X8		3				
A01	196520-1	DUST NOZZLE SET		1				
A02	B-64185	TCT BLADE190X24T WOOD EFFICUT		1				
A03	783204-6	HEX. WRENCH 6		1				
A07B	412393-7	BATTERY COVER		2				
A08B	191B26-6	BATTERY BL4040 SET		2				
A09B	***DC40RA	DC40RA FAST CHARGER		1				
D10		COMPO-PARTS						
A10B	821552-6	CONNECTOR PLASTIC CASE (TYPE4)		1				
C10	453974-8	LATCH		4				

Model No.HS004G 185MM CORDLESS CIRCULAR SAW

Item	Parts No.	Description	I/C	Qty	New/Old	Opt. 1	Opt. 2	Note
A11B	8015M0-2	HS004GM201 INDICATION LABEL		1				
A12B	8015M1-0	HS004GM201 PLASTIC CASE LABEL		2				
A13B	835K82-7	INNER TRAY		1				
A14	164095-8	GUIDE RULE		1				

Please order the parts with part number.

Print Date 2/9/2020